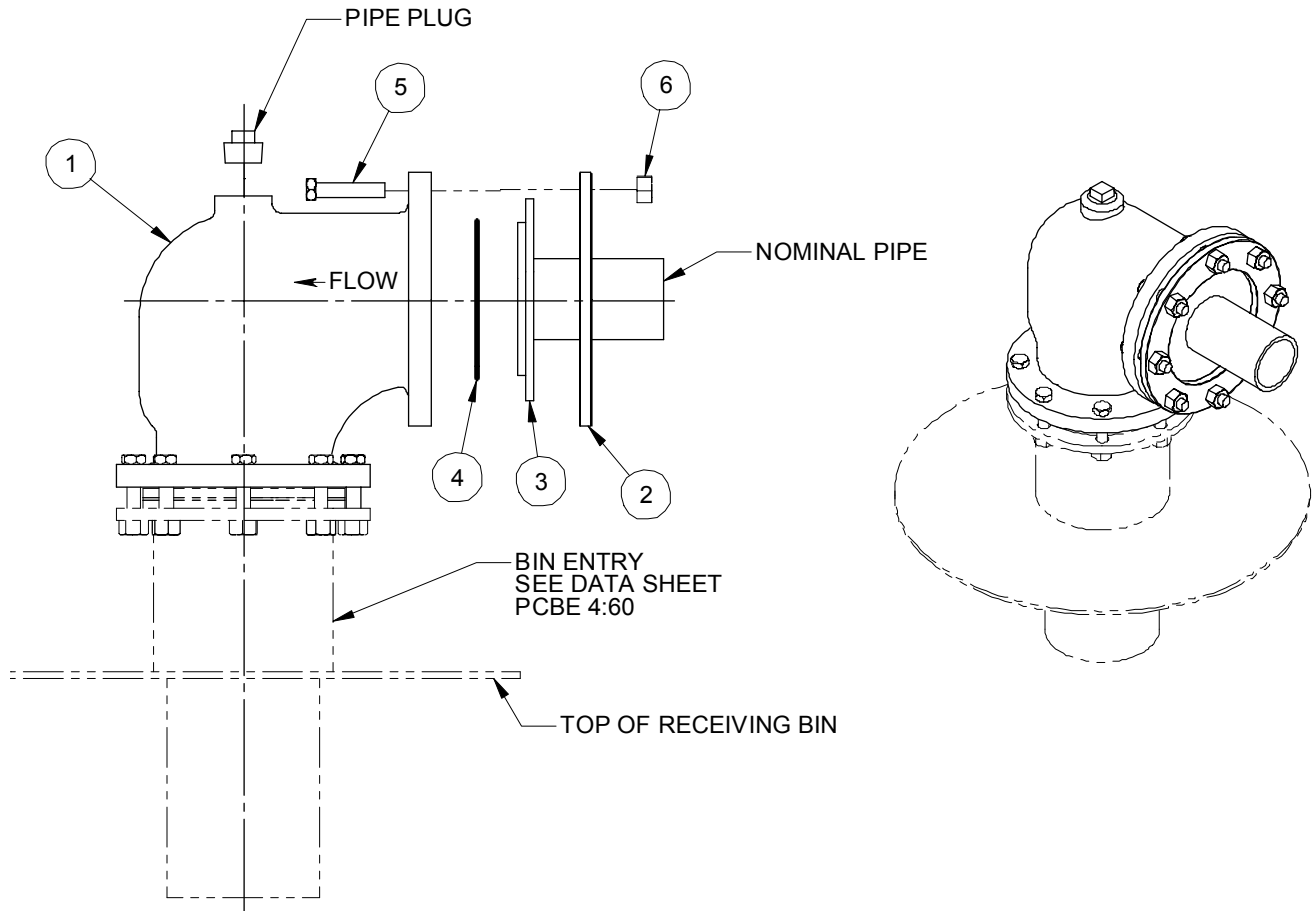


**DENSE FLOW EXPANSION ELBOW**



ITEM #	QTY	DESCRIPTION
1	1	90° ELBOW FITTING
2	1	SLIP-ON FLANGE
3	1	EXPANSION COLLAR
4	1	COUPLING SEAL GASKET
5	8	5/8"-11 NC X 3" LG. HEX HEAD BOLT
6	8	5/8"-11 NC X 3" LG. HEX NUT

NOM. PIPE	ELBOW	PART #
1 1/2"	4"	DF28136GS X 60
2"	4"	DF28136GS X 61
2 1/2"	4"	DF28136GS X 62
3"	4"	DF28136GS X 63
4"	6"	DF28170GS X 60
5"	6"	DF28170GS X 61
6"	8"	DF28178GS X 60

THE DENSE FLOW EXPANSION ELBOW is designed to minimize wear by reducing the material velocity through the last 90° turn, before Bin Entry.

Normally used for conveying abrasive material.

NOTE: Specifications and dimensions subject to change.