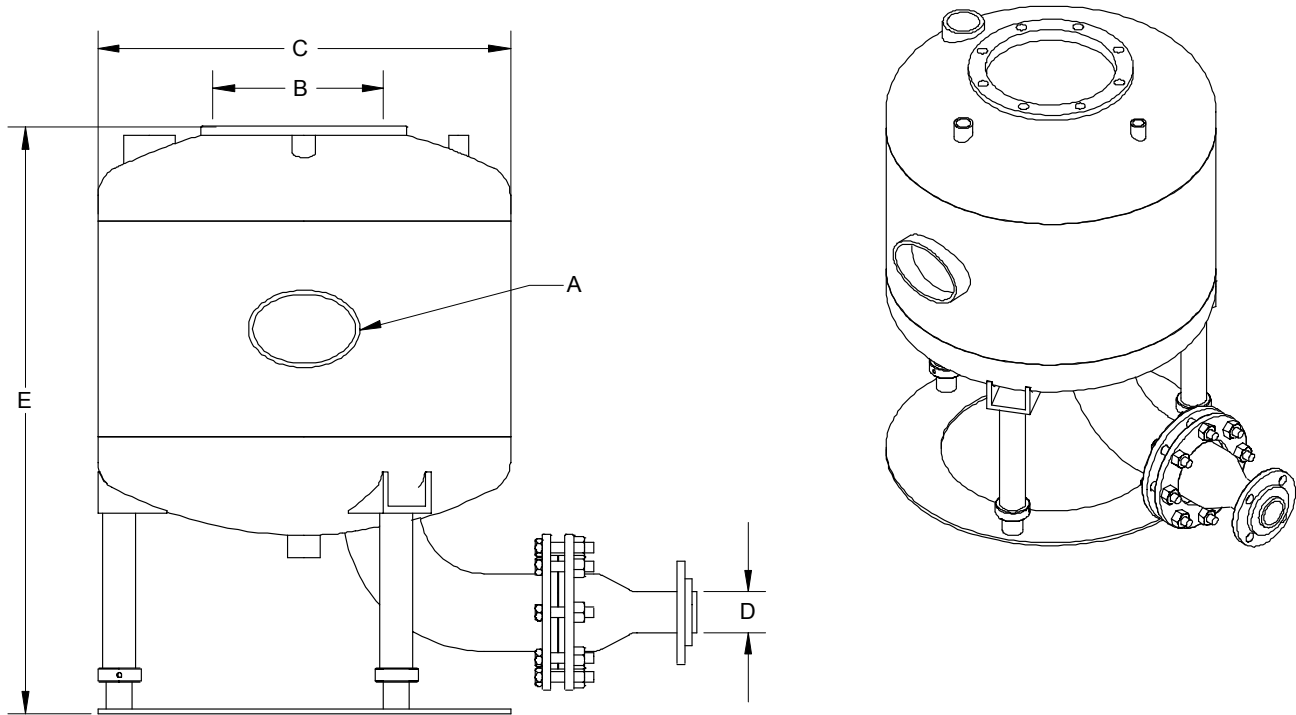


DENSE FLOW RB PUMP VESSEL



PUMP MODEL	A	B	C	D	E
DF1/2CF12-6RB	-	6"	12"	-	24-3/4"
DF1CF18-6RB	-	6"	18"	-	28"
DF4CF24-6RB	-	6"	24"	P S	33-1/2"
DF7CF36-10RB	4" X 6"	10"	36"	I I	40"
DF10CF36-10RB	4" X 6"	10"	36"	P Z	46"
DF15CF36-14RB	11" X 15"	14"	42"	E E	55"
DF25CF36-14RB	11" X 15"	14"	42"	-	56-3/4"
DF35CF42-14RB	11" X 15"	14"	42"	-	68-3/4"

Legs Are Adjustable On Pump Vessels 1/2CF to 4CF &
Are Fixed On Pump Vessels 7CF & Larger

The main component in a DENSE FLOW system is the Pump Vessel. The Pump Vessel is available in various designs and sizes to convey a wide variety of materials at almost any conveying rate and distance. The RB Model Pump has a dished bottom and side discharge for conveying free flowing materials. The Pump Vessel includes an Inside Manifold, a Cone Sealing Gate Assembly operated by a Closing Cylinder either inside or outside the Pump. One unique feature of this Pump is its low mounting dimensions, which enables it to fit into areas with low headroom.

NOTE: Specifications and dimensions subject to change.