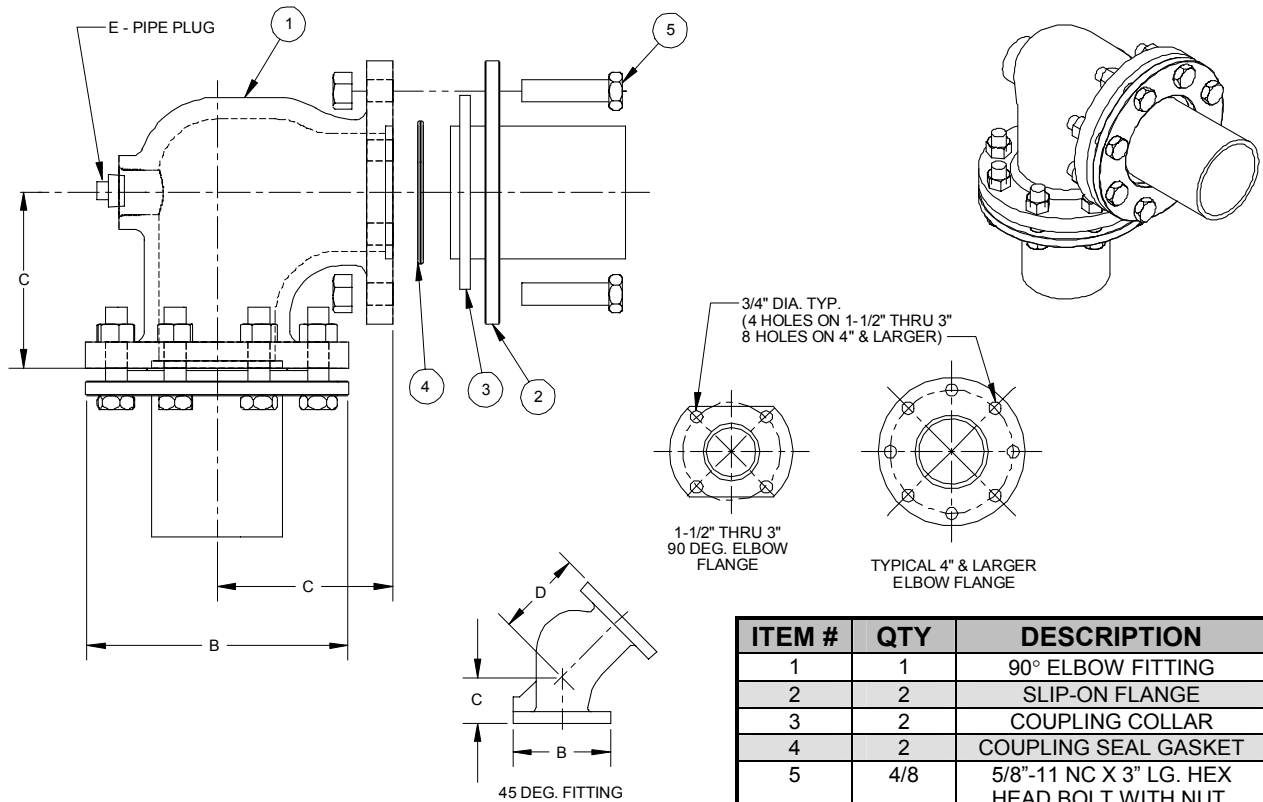


800-822-FLOW

DENSE FLOW POCKET ELBOW - CAST

Data Sheet
No. PCEL 4:10
April 2002



ITEM #	QTY	DESCRIPTION
1	1	90° ELBOW FITTING
2	2	SLIP-ON FLANGE
3	2	COUPLING COLLAR
4	2	COUPLING SEAL GASKET
5	4/8	5/8"-11 NC X 3" LG. HEX HEAD BOLT WITH NUT, GRADE 5

NOM. PIPE	DEGREE BEND	B	C	D	E	PART #
1 1/2"	90	6"	3"	-	1/2"	DF28109GS X 99
1 1/2"	45	6"	2 3/4"	4 7/8"	-	DF28111GS X 99
2"	90	6"	3"	-	1/2"	DF28113GS X 99
2"	45	6"	2 3/4"	4 7/8"	-	DF28115GS X 99
2 1/2"	90	7 1/2"	4 1/2"	-	1 1/4"	DF28120GS X 99
2 1/2"	45	7 1/2"	3 1/2"	6 5/8"	-	DF28122GS X 99
3"	90	7 1/2"	4 1/2"	-	1 1/4"	DF28126GS X 99
3"	45	7 1/2"	3 1/2"	6 5/8"	-	DF28128GS X 99
4"	90	9"	6"	-	1 1/4"	DF28136GS X 99
4"	45	9"	4 1/2"	8 1/2"	-	DF28138GS X 99
5"	90	11"	8 1/8"	-	1 1/4"	DF28174GS X 99
6"	90	11"	8 1/8"	-	1 1/4"	DF28170GS X 99
8"	90	13 1/2"	12"	-	1 1/4"	DF28178GS X 99

THE DENSE FLOW ELBOW is used mainly when conveying abrasive materials. It's unique pocket design traps a small amount of the conveyed materials and causes the incoming material to impinge on the material already trapped in the pocket, thus reducing wear. The compact design of the elbow also makes it easy to incorporate into any system layout, regardless of whether the conveyed material is abrasive or not. Other angles available upon request.

NOTE: Specifications and dimensions subject to change.